

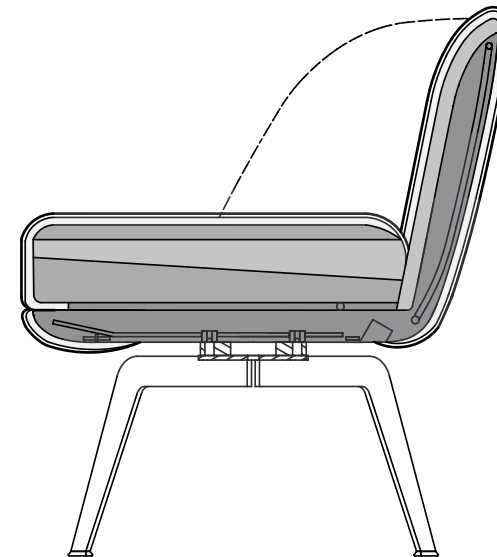
TECHNICAL DATA

ROLF BENZ 562



**ROLF
BENZ**

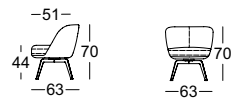
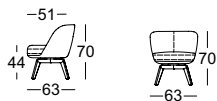
- Seat and back with foam-moulded metal inner frame
- Seat made from polyurethane foam, constructed in layers of different thicknesses and firmnesses, matched to one another, and covered with polyester fleece
- Back pad in polyurethane foam
- Body and back cover quilted underneath with non-woven polyester
- Four-leg solid wood, clear varnish, optionally with or without 360° swivel mechanism:
 - Oak
 - Oak, black pigmented
 - American walnut
- Four-leg metal optionally with or without 360° swivel mechanism:
 - Smooth steel, powder-coated, matt
 - RAL 9017 Traffic black
 - RAL 7022 Umbra grey



! Wave formation and depressions in the seat area are unavoidable, due to comfort and design reasons, even in high quality Rolf Benz upholstered furniture. All measurements are approximate.

Club armchair
Four-leg wood

Club armchair
Four-leg metal



**ROLF
BENZ**